

iQ parts
IQ-PARTS-SHOP.COM



**SPECS &
INFORMATION**

ASFA S-PRO (12 mm) Constant Tension



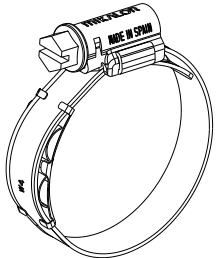
12mm bandwidth Constant Tension worm-drive clips are designed to be used primarily in the automotive sector. The main advantage of this clip over the standard Mikalor worm drive is to be found in the spring-loaded insert, fitted on a semi-circular support to the inside of the band.

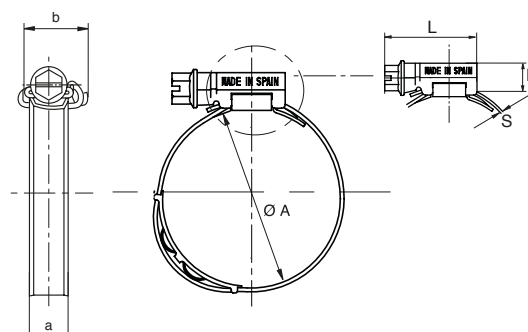
The use of this spring-loaded insert guarantees constant pressure around the hose and the optimum performance of the clamp in case of variations in temperature, pressure or vibration. For this reason, constant tension worm-drive clips are used mainly with tubes or hoses carrying hot air or on engine refrigeration systems, as clamps used in these applications are subject to expansion and contraction due to frequent changes in temperature. ASFA S CT worm-drive clips are manufactured entirely from stainless steel, thereby ensuring good corrosion resistance. The complete range complies fully with the Directive EU 20032/95/EC.

** The maximum application pressure can vary depending on the type of hose used and the geometry of the coupling.*

Nominal Ø	A	S W3	S W4	L max.	S +0,10	h max.	a +0,3 a -0,2	b max.	Maximum values		Box Quantity (MOQ)	Outer Packing
									Torque (Nm)	Pressure (Bars)		
	16-27	0301780-0	0301792-9	29,6	0,8	11	12,2	16,7	4,5	40	50	400
	20-32	0301781-8	0301793-0	29,6	0,8	11	12,2	16,7	5,5	47	50	400
	25-40	0301782-6	0301793-1	29,6	0,8	11	12,2	16,7	5,5	42	50	400
	30-45	0301783-4	0301793-2	29,6	0,8	11	12,2	16,7	5,5	37	50	400
	32-50	0301784-2	0301793-3	29,6	0,8	11	12,2	16,7	6,3	37	50	200
	40-60	0301785-0	0301793-4	29,6	0,8	11	12,2	16,7	6,3	32	50	400
	50-70	0301786-9	0301793-5	31,6	0,8	11	12,2	16,7	7	27	50	400
	60-80	0301787-7	0301793-6	31,6	0,8	11	12,2	16,7	7	22	50	50
	70-90	0301788-5	0301793-7	31,6	0,8	11	12,2	16,7	7	18	50	50
	80-100	0301789-3	0301793-8	31,6	0,8	11	12,2	16,7	7	15	25	200
	90-110	0301790-6	0301793-9	31,6	0,8	11	12,2	16,7	7	13	25	200
	100-120	0301791-4	0301794-0	31,6	0,8	11	12,2	16,7	7	11	25	200
	110-130	0301792-2	0301794-1	31,6	0,8	11	12,2	16,7	7	9	25	200

** It is recommended to apply 75% of the maximum values contained in the table.*

	TECHNICAL INFORMATION	
	MATERIAL	W3: AISI-430 W4: AISI 304
	FINISH	STAINLESS STEEL
	CORROSION RESIST.	W3: 200 HOURS SALT SPRAY (ASTM B-117) W4: 400 HOURS SALT SPRAY (ASTM B-117)
	MAXIMUM TIGHTENING SPEED (RPM)	540 ±5





info@iq-parts.nl
Harsweg 34A
2461 EZ Ter Aar
T +31 252 624 126
The Netherlands